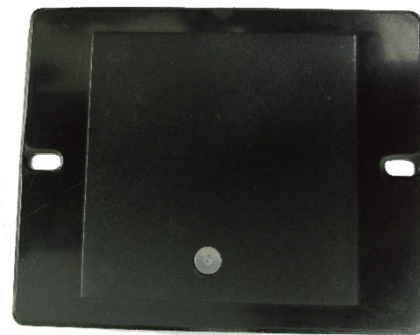


RE-717MM

ADDRESSABLE MONITOR MODULE

General

Monitor Module is an input module facilitates to interface with third party devices like security contacts, waterflow switches, pull stations, etc. with Fire Alarm Control Panel. The RED blinking LED indicates normal operating conditions and the steady state LED for activated conditions. DIP switches are provided for addressing of the module. The Monitor circuit is supervised for faulty condition.



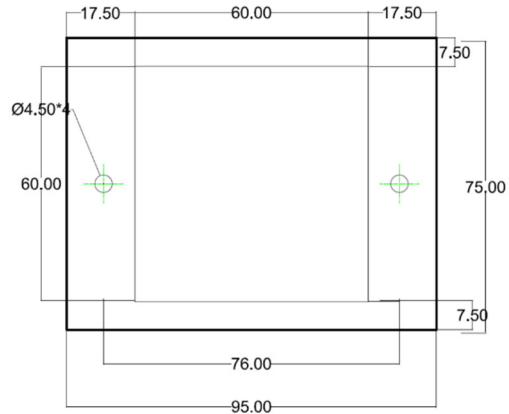
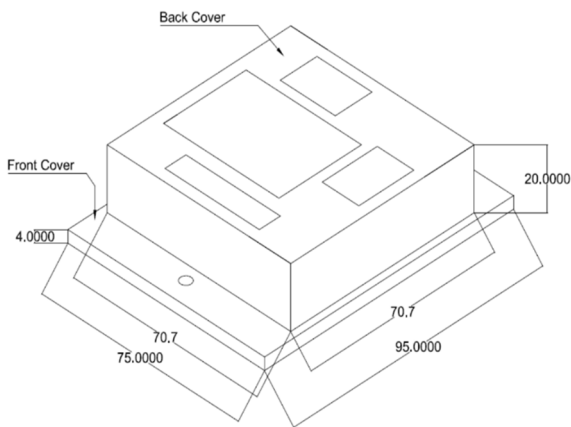
Features

- UL-Listed (9th Edition).
- CE Approved.
- Modular Construction.
- Module Status by RED LED.
- Analogue Communication with the panel.
- Addressing by 8 way DIP switches.
- Low Standby Current.
- Available with suitable back boxes.

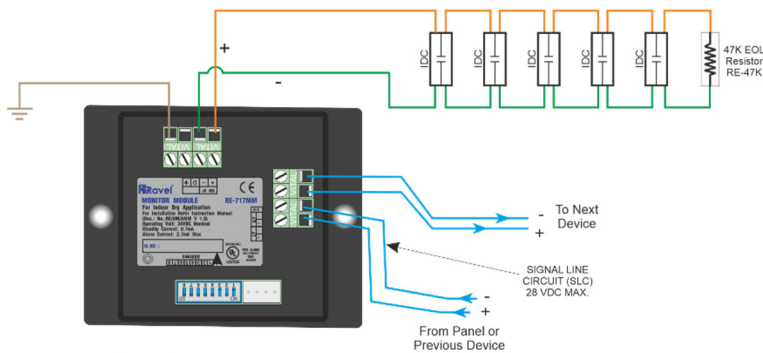
Specification

| Electrical Specification | |
|------------------------------|--|
| <i>Operating Voltage</i> | 24 VDC Nominal. |
| <i>Alarm Current</i> | 2.7 mA Max.(Latched) |
| <i>Standby Current</i> | 0.7 mA |
| <i>End of Line Resistor</i> | 47K Ohms |
| <i>Loop Impedance</i> | 40 Ohms |
| <i>IDC wiring Resistance</i> | 100 Ohms Max |
| <i>IDC Voltage</i> | 8 V Max |
| <i>Operating Temperature</i> | 0°C to 49°C / 32°- 120°F |
| <i>Storage Temperature</i> | 0°C to 60°C |
| <i>Humidity</i> | 93 ± 2% RH (non-condensing) at 32 ±2° C / 90 ±3° F |
| Mechanical Specification | |
| <i>Dimensions</i> | (95 W X 75 H X 24D) mm |
| <i>Color</i> | Black |
| <i>Weight</i> | 0.35 Kg |

Dimensions



Wiring Configuration



Use only Listed Compatible Panel

NOTE:

* D = NO CONNECTION

* ALL WIRING SHOWN IS SUPERVISED AND POWER LIMITED

Compatible Device

| Model | Description |
|-----------------|--|
| <i>Avani</i> | Analogue addressable Fire Alarm Control panel expandable upto 4 loop |
| <i>Avani XL</i> | Analogue Addressable Fire Alarm Control Panel expandable upto 8 Loop |

Ordering Information

| Models | Description |
|----------|----------------------------|
| RE-717MM | Addressable Monitor Module |

India

RAVEL ELECTRONICS PVT LTD.,
150A, Electronics Industrial Estate,
Perungudi, Chennai – 96, India.
E-mail: marketing@ravelfire.com; Web: www.ravelfire.com

United Kingdom

RAVEL ELECTRONICS LTD.,
Unit 11, Chancel Industrial Estate, Newhall street,
Willenhall WV13 1NX, West Midlands, United Kingdom.
E-mail: info@ravelfire.co.uk; Web: www.ravelfire.co.uk

USA

RAVEL AMERICAS INC.,
2855 NW 112th Ave ST#2 Miami,
Doral, Florida 33172, USA.