

Product Overview

This device can be installed easily and quickly by a single person in single point of wiring & commissioning. It has special feature to compensate automatically for natural building movement to continuously maintaining alignment by building movement tracking technology.



Salient Features

- Auto alignment
- Easy Installation
- Standalone Detector

Features

- Alignment mode switch, alignment directional buttons and configuration switches for alarm response threshold
- 2 Green LEDs and 1 Yellow LED for alignment status.
- System status : Green LED flashing every 10 sec in normal condition
Red LED flashing every 10 sec in alarm condition
Yellow LED flashing every 10 sec for obscuration or every 5 sec for contamination in Fault condition
- Flat front face with enclosed optics. Cleaning the optics does not affect alignment.
- UL approval Pending.

Specifications

| | |
|--|---|
| Operating voltage | : 14 to 36 VDC |
| Operating current | : All operational modes – 5mA; Fast alignment mode – 33mA |
| Operating temperature | : -20 to +55°C |
| Storage temperature | : -40 to +85°C |
| Relative humidity (non-condensing or icing) | : 0 to 93% |
| IP rating | : Ip55 |
| Housing flammability rating | : UL94 V0 polycarbonate |

Optical Specifications

| | |
|--|---|
| Fault level / Rapid obscuration ($\Delta \leq 2$ seconds) | : $\geq 85\%$ |
| Maximum angular misalignment of Reflective Detector | : $\pm 0.5^\circ$ |
| Maximum angular misalignment of Reflector | : $\pm 5^\circ$ |
| Maximum angular alignment of Reflective Detector | : $\pm 4.5^\circ$ ($\pm 70^\circ$ with adjustment bracket accessory) |

Detection Performance

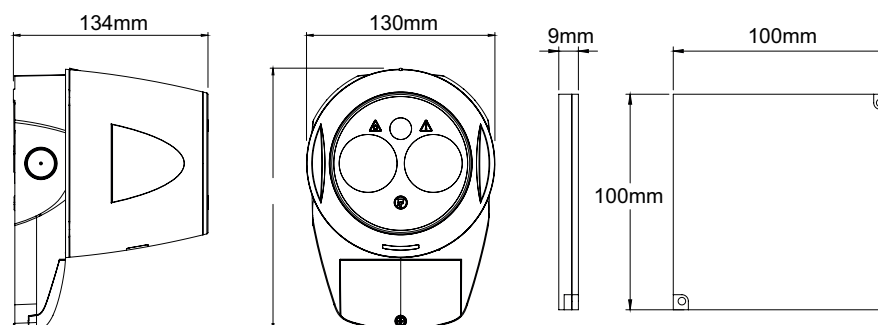
| | |
|--------------------------------------|--|
| Detection range | : 0 to 50m 0 to 120m with Reflective Long Range Kit |
| Alignment method | : Laser assisted, Auto-Alignment™. Manual alignment – optional setting |
| Auto-Alignment™ protocol | : Background check, Box search, Adjust and Centre |
| Building Movement Tracking™ | : Compensates for natural shifts in alignment from building movement* |
| Contamination Compensation | : Compensates for gradual build-up of contamination on the optical surfaces |
| Light Cancellation Technology™ | : Compensates for high levels of sunlight and artificial lighting |
| Optical wavelength – smoke detection | : 850nm near infrared (invisible) |
| Integrated laser – laser alignment | : 650nm visible. Class IIIa <5mW |
| Dynamic Beam Phasing | : Allows beam detectors to be mounted facing each other with the reflectors in the middle. Eliminates false alarms caused by crosstalk between beams |
| Signal output | : Individual Alarm and Fault relays (VFCO) 2A @ 30 VDC |

Programmable User Settings

| | |
|---------------------------------|--|
| Alarm response threshold levels | : 25% (1.25dB) – Fastest response to smoke 35% (1.87dB) – Default value 55% (3.46dB) – High immunity to false alarms, slow response to smoke 85% (8.23dB) – Highest immunity to false alarms, slowest response to smoke. Configured via the integrated user interface |
| Delay to Alarm | : 10 seconds, for momentary partial obstruction of the beam path |
| Delay to Fault | : 10 seconds, for momentary obstruction of the beam path |

Design Parameters

| | |
|--|--|
| Separation distance between Detector and Reflector | : 5 to 50m 50 to 120m with Reflective Long Range Kit |
| Beam path clearance | : 1m in diameter from centre line between Detector and Reflector |
| Detector dimensions | : 130W x 181H x 134D in mm (see diagram) |
| Reflector dimensions | : Up to 50m separation distance – Single reflector 100mm x 100mm x 9mm Up to 120m separation distance – Four reflectors arranged in a square patten 200mm x 200mm x 9mm |
| Product weight | : Detector – 0.7kg; Reflector – 0.1kg |
| Multi-detector arrangement | : Dynamic Beam Phasing allows for Detectors to face each other with the reflectors in the middle |
| Housing colour | : White RAL9016, UV stable |

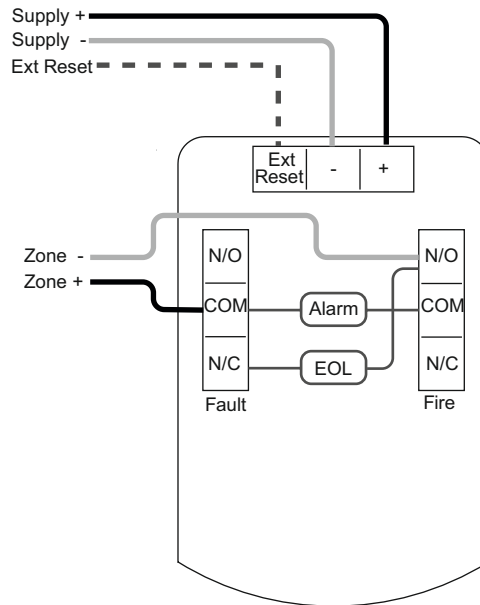


Field Wiring

- Cable gauge and type : 2 core, dedicated, 0.5 to 1.6mm (24 to 14 AWG)
 System compatible with fireproof and non-fireproof cable meeting local installation standards
- Cable entry : 3 knock-out locations capable of accepting M20, ½" or ¾" glands
 : 4 drill-out locations capable of accepting glands up to 21mm diameter

Test And Maintenance

- Alarm test : Optical alarm test using Commissioning and Maintenance Kit accessory



Ordering information

| Model No | Part No | Description |
|----------|--------------|-------------------------|
| EazyBeam | R60-024-1547 | Beam Detector - 50Mtrs |
| EazyBeam | R60-024-1560 | Beam Detector - 120Mtrs |

India:

RAVEL ELECTRONICS PVT LTD.,
 (An ISO 9001 Certified Company)
 150A, Electronics Industrial Estate, Perungudi, Chennai - 96 .India.
 E-Mail: marketing@ravelfire.com; Web : www.ravelfire.com

United Kingdom:

RAVEL ELECTRONICS LTD.,
 Unit 11, Chancel Industrial Estate, Newhall street,
 Willenhall WV13 1NX, West Midlands, United Kingdom.
 E-mail: info@ravelfire.co.uk ;Web: www.ravelfire.co.uk