

RE-717MR

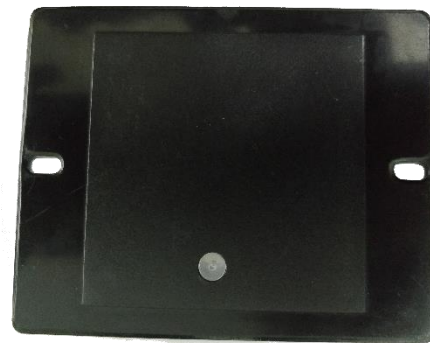
ADDRESSABLE RELAY MODULE

General

Relay Module is an output module facilitates dual form C potential free contact to integrate the third party devices with Fire Alarm Control panels like lift, pressure fan, access control etc. The RED blinking LED indicates normal operating conditions and the steady state LED for activated conditions. DIP switches are provided for addressing of the module.

Features

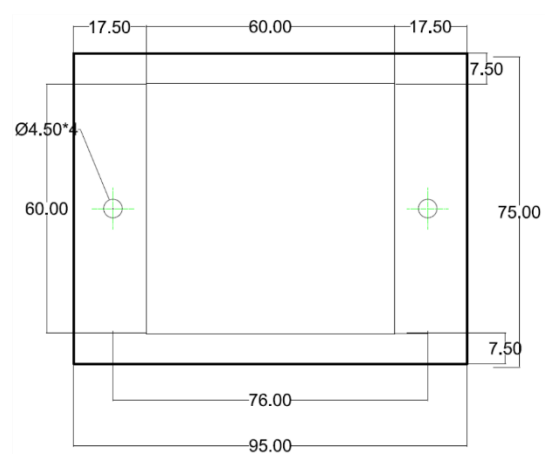
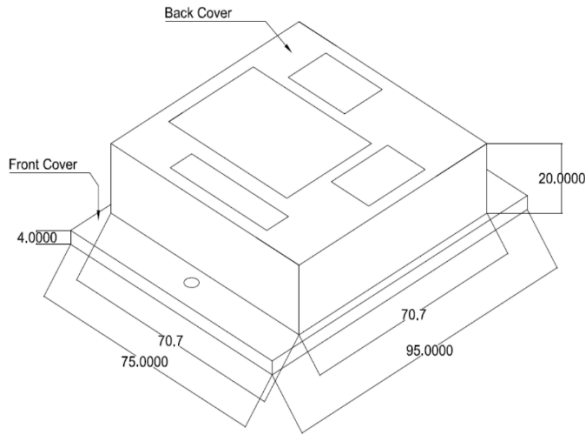
- UL-Listed (9th Edition).
- CE Approved.
- Module Status by RED LED.
- Dual Form C Potential free contacts.
- Non supervised Output
- Analogue Communication with the panel.
- Addressing by 8 way DIP switches.
- Low Standby Current.
- Available with suitable back boxes.
- Modular Construction.



Specification

Electrical Specification	
<i>Operating Voltage</i>	24 VDC Nominal.
<i>Current Draw</i>	2 mA Max.(Latched)
<i>Standby Current</i>	0.5 mA
<i>Contact Rating</i>	FormC, 2A @ 30VDC(Resistive)
<i>Operating Temperature</i>	0°C to 49°C / 32° - 120°F
<i>Storage Temperature</i>	0°C to 60°C
<i>Humidity</i>	93 ± 2% RH (non-condensing) at 32 ± 2° C / 90 ± 3° F
Mechanical Specification	
<i>Dimensions</i>	(95 W X 75 H X 24 D) mm
<i>Color</i>	Black
<i>Material</i>	FR ABS plastic
<i>Weight</i>	0.35 Kg

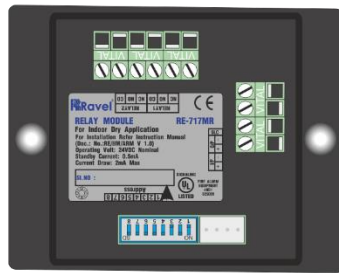
Dimensions



Wiring Configuration

Use only Listed
Compatible Panel

Relay 2 Co
Relay 2 No
Relay 2 Nc
Relay 1 Co
Relay 1 No
Relay 1 Nc



- To Next
+ Device

- From Panel or
+ Previous Device

NOTE:

- * ALL WIRING SHOWN IS SUPERVISED AND POWER LIMITED
- * RELAY OUTPUT ARE NOT SUPERVISED

Compatible Device

Model	Description
<i>Avani</i>	Analogue addressable Fire Alarm Control panel expandable upto 4 loop
<i>Avani db</i>	Analogue Addressable Fire Alarm Control panel expandable upto 2 loop
<i>RE-4100</i>	Analogue Addressable Fire Alarm Control panel expandable upto 4 loop
<i>Avani XL</i>	Analogue Addressable Fire Alarm Control Panel expandable upto 8 Loop

Ordering Information

Models	Description
RE-717MR	Addressable Relay Module

India

RAVEL ELECTRONICS PVT LTD.,
150A, Electronics Industrial Estate,
Perungudi, Chennai – 96, India.
E-mail: sales@ravelfire.com; Web: www.ravelfire.com

UAE

RAVEL DMCC,
Unit No: G30, DMCC Business Center,
Level No 13, AG Tower, Dubai, UAE.
E-mail: sales@raveldmcc.com

USA

RAVEL AMERICAS INC.,
2855 NW 112th Ave ST#2 Miami,
Doral, Florida 33172, USA.
E-mail: sales.us@ravelfire.com