

RE-717MC

ADDRESSABLE CONTROL MODULE

General

Control Module is the remote switching device to control 24V operating devices like Bells, Sounders, Strobes, etc. The required supply is drawn from a 24V power supply unit. The RED blinking LED indicates normal operating conditions and the steady state LED for activated conditions. DIP switches are provided for addressing of the module. The output and auxiliary input voltage is supervised for faulty condition.

Features

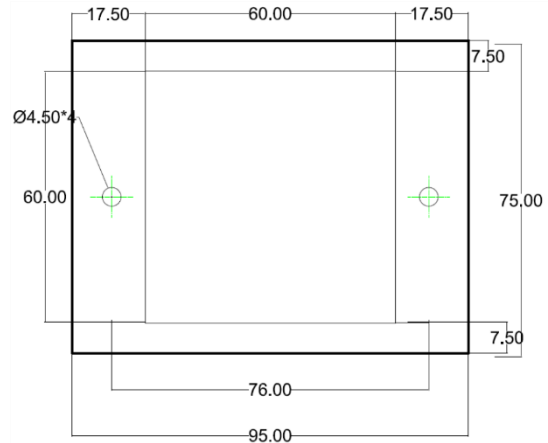
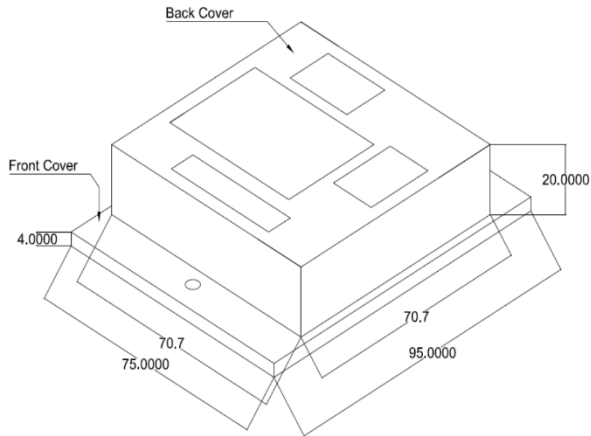
- UL-Listed (9th Edition).
- CE Approved.
- Supervised a Class 'B' Style 'Y' output circuit.
- Module Status by RED LED.
- Analogue Communication with the panel.
- Addressing by 8 way DIP switches.
- Low Standby Current.
- Available with suitable back boxes.
- Modular Construction.



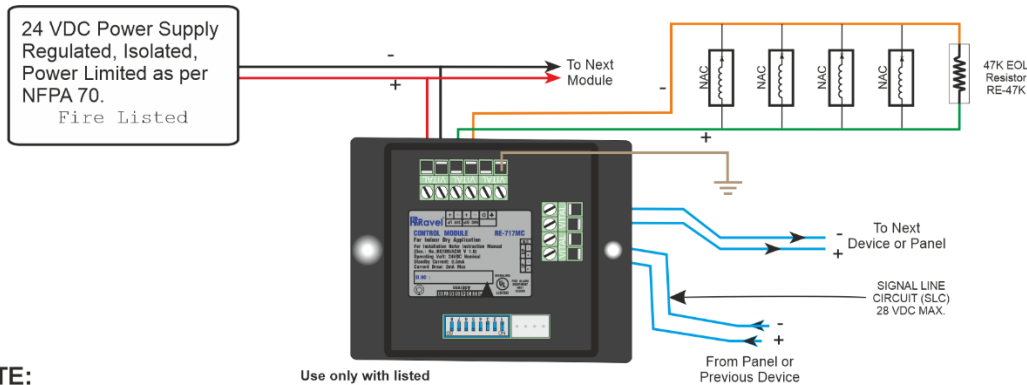
Specification

Electrical Specification	
Operating Voltage	24 VDC Nominal.
Alarm Current	2 mA Max.(Latched)
Standby Current	500 μ A
End of Line Resistor	47K Ohms
Loop Impedance	40 Ohms
Line Loss	4 VDC Max
External Supply Voltage	Regulated 24V
Max. Output Current Drive	1 A (Supervised)
Operating Temperature	0°C to 49°C / 32° - 120°F
Storage Temperature	0°C to 60°C
Relative Humidity	93 \pm 2% RH (non-condensing) at 32 \pm 2° C / 90 \pm 3° F
Mechanical Specification	
Dimensions	(95 W X 75 H X 24D) mm
Color	Black
Material	FR ABS plastic
Weight	0.35 Kg

Dimensions



Wiring Configuration



NOTE:

* D = NO CONNECTION

* ALL WIRING SHOWN IS SUPERVISED AND POWER LIMITED

Use only with listed compatible panels.

Compatible Device

Models	Description
<i>AVANI</i>	Analogue addressable Fire Alarm Control panel expandable upto 4 loop
<i>AVANI db</i>	Analogue Addressable Fire Alarm Control Panel expandable upto 2 Loop
<i>RE-4100</i>	Analogue Addressable Fire Alarm Control Panel expandable upto 4 Loop
<i>AVANI XL</i>	Analogue Addressable Fire Alarm Control panel expandable upto 8 loop

Ordering Information

Models	Description
RE-717MC	Addressable Control Module

India

RAVEL ELECTRONICS PVT LTD.,
150A, Electronics Industrial Estate,
Perungudi, Chennai – 96, India.
E-mail: sales@ravelfire.com; Web: www.ravelfire.com

UAE

RAVEL DMCC,
Unit No: G30, DMCC Business Center,
Level No 13, AG Tower, Dubai, UAE.
E-mail: sales@raveldmcc.com

USA

RAVEL AMERICAS INC.,
2855 NW 112th Ave ST#2 Miami,
Doral, Florida 33172, USA.
E-mail: sales.us@ravelfire.com