

RE-716SO

CONVENTIONAL SOUNDER / HORN

General

The sounder is designed to reliable safety solution with UL certification and dual tone audible settings. For Continuous and temporal 3 tones available. It can delivers the sounder output range between 75db to 85db.

Features

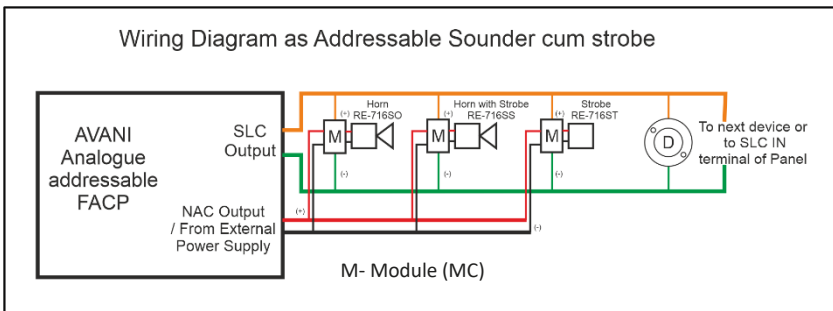
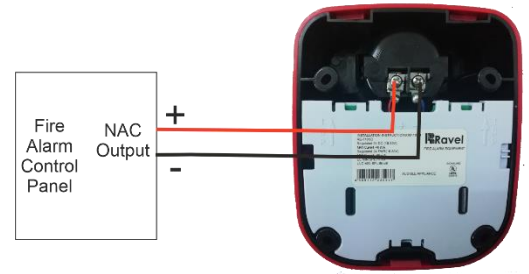
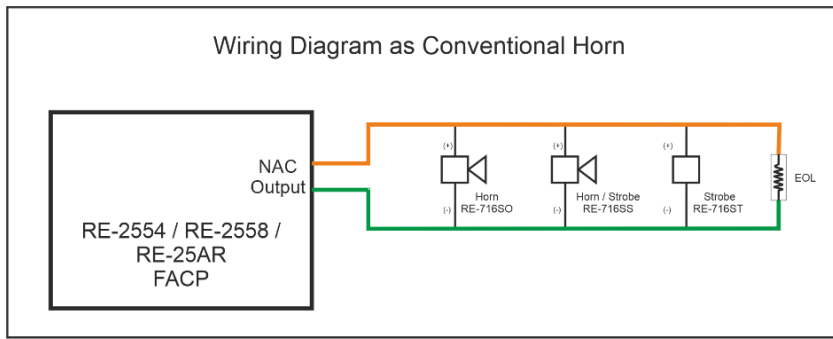
- UL 464,UL - S525.
- 2 Audible Tones Settings : Continuous and Temporal 3.
- Low current consumption device.
- FIRE label visibility from all direction.
- 24VDC Operation.
- Used in Fire, Burglar & Emergency Alarm System.



Specification

	Electrical Specification
<i>Operating Voltage</i>	24V DC(16-33 VDC)/FWR
<i>Max. Current Draw</i>	25mA
<i>Mounting Options</i>	Standard 4" *4" Back box
<i>Sounder Output</i>	75dB to 85dB @3m
<i>Compliance</i>	UL 464,UL-S525
<i>Operating Temperature</i>	0 - 49° C / 32-120° F
<i>Storage Temperature</i>	0°C to 60°C
<i>IP Rating</i>	IP 40
<i>Wiring Type</i>	2
<i>Screw Terminals</i>	#12 to #18 AWG Wires
<i>Dimension</i>	(140 L x 120 W x 51 D) mm

Wiring Details



Compatible Panel

Model	Description
AVANI	Analogue addressable Fire Alarm Control panel expandable upto 4 loop
Avani db	Analogue Addressable Fire Alarm Control panel expandable upto 2 loop
Avani XL	Analogue Addressable Fire Alarm Control Panel expandable upto 8 Loop
RE-25AR	Conventional Agent Release Control Panel
RE-2558/2554	Conventional 8 IDC / 4 IDC Fire Alarm Control Panel

Compatible Device

Model	Description
RE-717MC	Addressable Control Module

Ordering Information

Model	Description
RE-716SO	Conventional Sounder / Horn

India

RAVEL ELECTRONICS PVT LTD.,
150A, Electronics Industrial Estate,
Perungudi, Chennai – 96, India.
E-mail: sales@ravelfire.com; Web: www.ravelfire.com

UAE

RAVEL DMCC,
Unit No: G30, DMCC Business Center,
Level No 13, AG Tower, Dubai, UAE.
E-mail: sales@raveldmcc.com

USA

RAVEL AMERICAS INC.,
2855 NW 112th Ave ST#2 Miami,
Doral, Florida 33172, USA.
E-mail: sales.us@ravelfire.com