

# RE-428 SERIES

## OPTICAL BEAM DETECTOR

### General

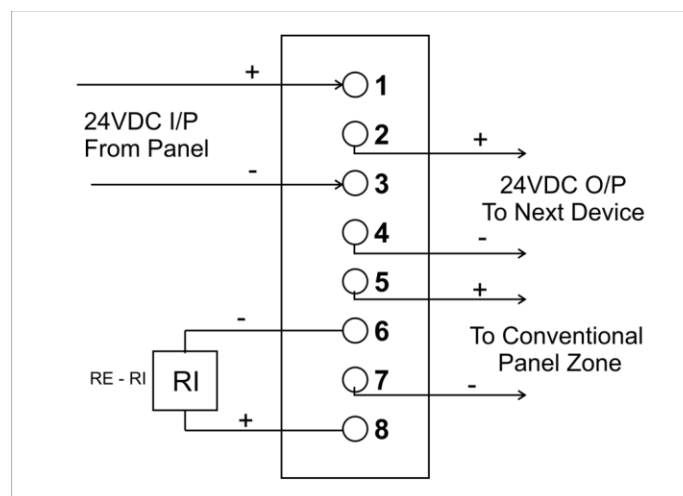
Optical Beam detector working range 50 meter and 100 meter, Beam detector is LPCB certified with inbuilt laser light for easy pointing the prism location, easy to align, sensitivity threshold setting changeable along with remote indicator output option. Maintenance free, effective sensing beam detectors.



### Features

- User Friendly Installation.
- In built laser light for easy alignment.
- Supports 5 to 100 meter range.
- Option for Remote Indication.
- Adjusting Screws at detector for precise alignment.
- Infrared transmitter & receiver located in a single housing.
- In built drift compensation for monitoring dirt build up on the optical system.
- Sensitivity Threshold :- 18% ,30%, 50%.

### Terminal Diagram



## Specification

Electrical Specification	
<i>Operating Voltage</i>	9.5V – 28V DC
<i>Quiescent current</i>	20 mA
<i>Alarm current</i>	60 mA
<i>Detector angular tolerance</i>	± 0.5°
<i>Reflector angular tolerance</i>	± 5°
<i>Current at radiation beam interruption</i>	< 0.3 mA
<i>Operating distance range for RE-428FR reflector</i>	5 m to 50 m
<i>Operating distance range for RE-428HR reflector</i>	5 m to 100 m
<i>Sensitivity thresholds</i>	18%, 30%, 50%
<i>Power supply of laser target viewfinder (during alignment)</i>	9 V (6F22) battery
<i>Operating temperature range</i>	-25°C to 55°C
<i>Storage temperature</i>	-25°C to 60°C
<i>Relative humidity</i>	up to 95% at 40°C
<i>Dimensions</i>	128 x 79 x 84 mm
<i>Ip Rating</i>	IP 50
<i>Mass</i>	0.35 kg

### Note:

RE-428 Series Beam detector can be used for both conventional and addressable Fire Alarm System. In case of addressable system suitable RE-717MZ (Zone Interface Module) to be incorporated for each detector.

## Compatible Panels

Model	Description
<i>RE-102</i>	Conventional 2 IDC Fire Alarm Control Panel
<i>RE-104</i>	Conventional 4 IDC Fire Alarm Control Panel
<i>RE-102R</i>	Plastic Conventional 2 IDC Fire Alarm Control Panel
<i>RE-104R</i>	Plastic Conventional 4 IDC Fire Alarm Control Panel
<i>RE-2554</i>	Conventional 4 IDC Fire Alarm Control Panel
<i>RE-2558</i>	Conventional 8 IDC Fire Alarm Control Panel
<i>RE-900 Series</i>	Conventional Fire Alarm Control Panel
<i>RE-25AR</i>	Conventional Agent Release Control Panel
<i>RE-120GR</i>	Conventional Gas Release Control Panel
Compatible Devices	
<i>RE-717MZ</i>	Addressable Zone Interface Module
<i>RE-RI</i>	2 Wire Response Indicator-Plate

## Ordering Information

Model	Description
RE-428FR	Up to 50meter Optical Beam Detector
RE-428HR	Up to 100meter Optical Beam Detector

### India

RAVEL ELECTRONICS PVT LTD.,  
150A, Electronics Industrial Estate,  
Perungudi, Chennai – 96, India.  
E-mail: [sales@ravelfire.com](mailto:sales@ravelfire.com); Web: [www.ravelfire.com](http://www.ravelfire.com)

### UAE

RAVEL DMCC,  
Unit No: G30, DMCC Business Center,  
Level No 13, AG Tower, Dubai, UAE.  
E-mail: [sales@raveldmcc.com](mailto:sales@raveldmcc.com)

### USA

RAVEL AMERICAS INC.,  
2855 NW 112<sup>th</sup> Ave ST#2 Miami,  
Doral, Florida 33172, USA.  
E-mail: [sales.us@ravelfire.com](mailto:sales.us@ravelfire.com)