

# RE-104

## 4 IDC'S FIRE ALARM CONTROL PANEL

### General

The conventional panel is a right blend of affordable design and quality with latest technology for fire alarm control panels. This microprocessor based conventional Fire Alarm Control panels designed to be used in for small size commercial buildings and small scale industries. 4 IDC's control panel is an user friendly with LCD display and LED indications. Lock and key access is provided for authentication and also with optional zone wise Sounder / Contact respectively.



### Special Features

- Modular Construction, Serviceable.
- Surface Mount Technology.
- Battery polarity & deep discharge protection.
- Programmable Keypad lock

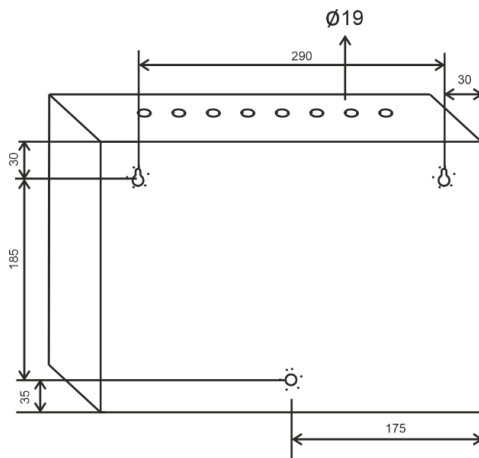
### Features

- CE Approved.
- 16 X 2 Dot Matrix LCD Display.
- Standby battery backup with built in charging.
- Fire / Fault status in unambiguous colored LED indication.
- Switch Mode Power Supply.
- Tactile Keypad for easy panel operation.
- System ON indication.
- Main, Standby status indication.
- Low Battery visual warning with audible tone.
- Relay output for actuators, for Fire and Fault.
- Lamp Test facility.
- Zone wise one man Walk Test Facility.
- Zone wise Isolation facility with loop voltage cut off.
- Optional Zone Wise Sounder / Zone Wise Contact.

## Specification

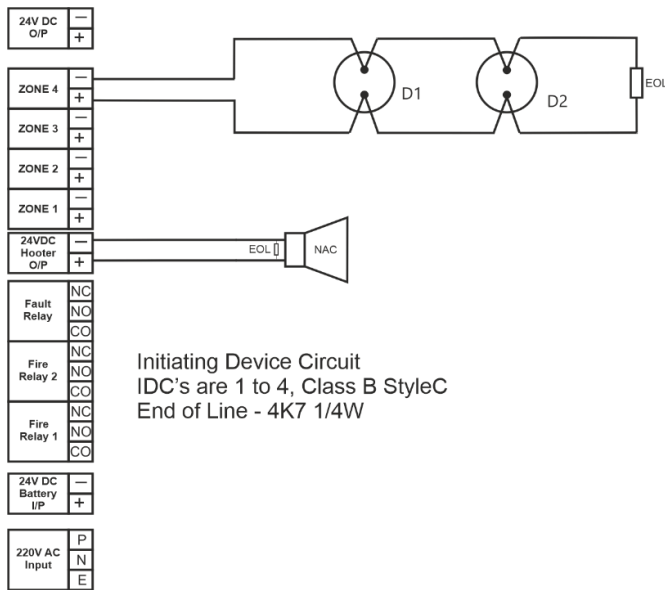
Electrical Specification		
<b>Primary Power</b>	120 / 220VAC + 10% -15%, 60 / 50 Hz. 100W	
<b>Standby Power</b>	24VDC (2 Nos of 12V, 7Ah Sealed Lead acid battery)	
<b>Operating Condition</b>	Operating Temperature 0 – 49° C / 32 – 120° F. Storage Temperature 0 – 60° C Relative Humidity 93 ± 2% RH (non-condensing) at 32 ± 2° C / 90 ± 3° F	
<b>Quiescent Current</b>	55 mA.	
<b>Charging Circuit</b>	Charging voltage 28 V, ± 2% Charging current 0.5A (max)	
<b>Notification Appliance Circuits</b>	Wiring style	Class B
	Quantity	1 No.
	Operating voltage	24VDC nominal
	Current	0.6A
<b>Relays</b>	EOL resistor	4K7, ¼ watt
	Type	Form C
	Quantity	3 No's (2 Fire & 1 Fault)
	Relay contact rating	2Amps @ 30 VDC; 0.5A @ 125 VAC
<b>Initiating Device Circuits</b>	Power factor	1.0
	Wiring style	Class B
	Quantity	4 No's
	Normal operating voltage	14 – 21 VDC
	Alarm current	15 – 30 mA
	Short circuit current	42 mA (max)
	Loop resistance	50 Ω (max)
	EOL Resistor	4K7, ¼ watt
Standby current	6.8 mA (2.4 mA for detectors)	
Mechanical Specification		
<b>Dimensions</b>	350W X 250H X 100D	
<b>Color</b>	Red / White	
<b>Construction</b>	18 Gauge (1.22mm) CRCA sheet with powder-coated finish	
<b>IP Rating</b>	IP50	
<b>Cable Entry</b>	8xØ19mm Knockout on top of the cabinet	

## Dimensions



Note:- All Dimensions are in mm

## Wiring Configuration



## Compatible Devices

Models	Description
RE-316S-2L	Conventional Photoelectric Smoke detector with base.
RE-316H-2L	Conventional Heat detector with base.
RE-316SH-2L	Conventional Multi sensor detector with base
RE-716 MR	Conventional Manual Call Point.
RE- 24 CS	Conventional Sounder /Horn.
RE- 25 SS	Conventional Sounder / Horn cum Strobe
RE-716SO	Sounder
RE-716SS	Sounder cum Strobe
RE-716P1T	Sinagle Action Manual Pull station
RE-716P1TLP(R)	Dual Action Manual Pull Station
RE-RI	Response Indicator.
RE-364BS	Conventional Sounder Base

## Ordering Information

Models	Description
RE-104	Conventional 4 IDC's Fire Alarm Control Panel.

Note:

W- White Colour

R – Red Colour

### India

RAVEL ELECTRONICS PVT LTD.,  
150A, Electronics Industrial Estate,  
Perungudi, Chennai – 96, India.  
E-mail: [sales@ravelfire.com](mailto:sales@ravelfire.com); Web: [www.ravelfire.com](http://www.ravelfire.com)

### UAE

RAVEL DMCC,  
Unit No: G30, DMCC Business Center,  
Level No 13, AG Tower, Dubai, UAE.  
E-mail: [sales@raveldmcc.com](mailto:sales@raveldmcc.com)

### USA

RAVEL AMERICAS INC.,  
2855 NW 112<sup>th</sup> Ave ST#2 Miami,  
Doral, Florida 33172, USA.  
E-mail: [sales.us@ravelfire.com](mailto:sales.us@ravelfire.com)