

RE-104

Fire Alarm Control Panel



Product Overview

RE-104 is a right blend of affordable design and quality with latest technology for fire alarm control panels. This microprocessor based conventional Fire Alarm Control panel, is designed for small size commercial buildings and small scale industries. RE-104 model is an user friendly 4 zone standalone control panel, with optional zone wise Sounder/Contact respectively.

Special Features:

- Switched Mode Power Supply.
- Modular Construction, Serviceable.
- Surface Mount Technology.
- Battery polarity & deep discharge protection.



Features:

- As per IS -15908: 2011 Standard.
- 16 X 2 Dot Matrix LCD Display.
- Standby battery backup with built in charging.
- Fire / Fault status in unambiguous colored LED indication.
- Switch Mode Power Supply.
- Tactile Keypad for easy panel operation.
- System ON indication.
- Main, Standby status indication.
- Low Battery visual warning with audible tone.
- Relay output for actuators, for Fire and Fault.
- Lamp Test facility
- Zone wise one man Walk Test Facility.
- Zone wise Isolation facility with loop voltage cut off.
- Compatible to all type of Conventional Detectors.
- Optional Zone Wise Sounder / Zone Wise Contact.



Electrical Specification:

Primary Power :-

120 / 220VAC + 10% -15%, 60 / 50 Hz. 60W

Standby Power :-

24VDC (2 Nos of 12V, 7Ah Sealed Lead acid battery).

Quiescent current : 55mA

Operating Condition:-

Operating Temperature - 0 - 49° C/32-120° F.

Storage Temperature - 0° to 60° C

Relative Humidity - 93 ± 2% RH (non- condensing)
at 32 ± 2° C/90 ± 3° F.

Charging Circuit:-

Charging Voltage - 28.0V, ± 2%

Charging Current - 0.5 A (Max.).

Notification Appliance Circuits:-

Class B wiring

Operating Nominal Voltage: 24VDC

Current for NACs : 0.6 Amp

End-Of-Line Resistor : 4K7, 1/4 watt

Common Relays:-

Type : Form C

No of Relays : 3

Relay Contact Rating : 2Amps @ 30 VDC,
0.5Amps @125VAC.

Power Factor : 1.0

Initiating Device Circuits (Zone Circuit):-

All zones are Class B wiring

Normal Operating Voltage : 14- 21 VDC

Alarm Current : 15 - 30mA

Short Circuit Current : 42mA Maximum

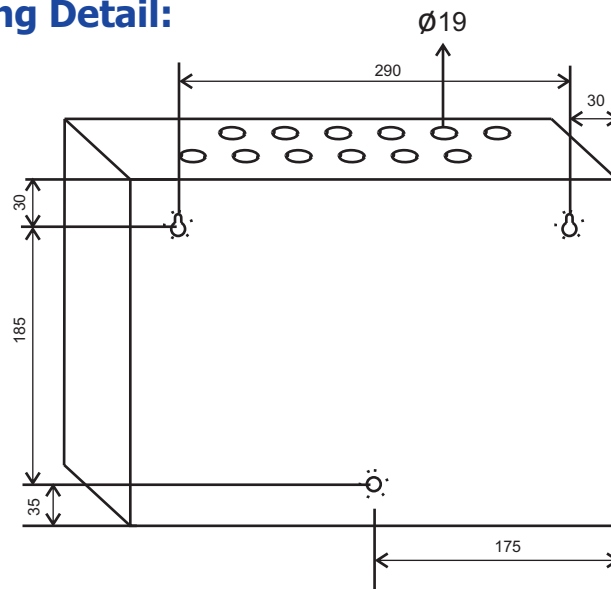
Loop resistance : 50 ohms Maximum

End-Of-Line Resistor : 4.7K, 1/4watt

Standby Current : 6.8mA

(2.4mA for Detectors)

Mounting Detail:



Note:- All Dimensions are in MM

Mechanical Specification:

Dimensions : (350W X 250H X 100D)

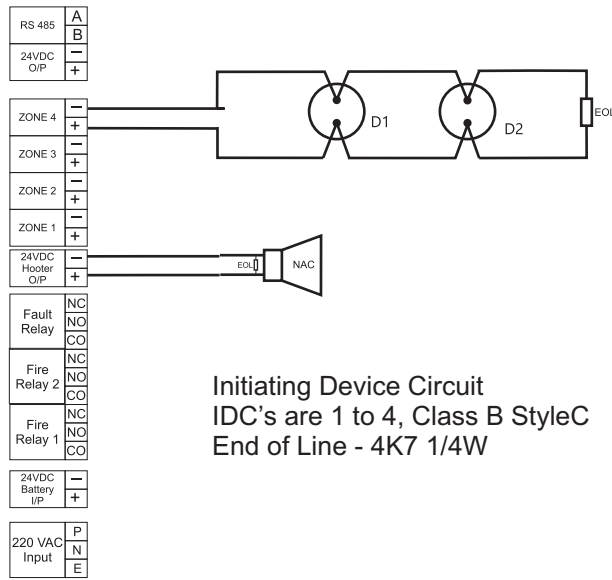
Color : Red / White

Construction : 18 Gauge (1.22mm) CRCA sheet with powder-coated finish

IP Rating : IP50

Cable Entry : 11 \varnothing 19mm Knockout on top of the cabinet

Wiring Diagram:



Compatible Devices:

MODELS	DESCRIPTION
RE-316S-2L	Photoelectric Smoke detector with base.
RE-316H-2L	Heat detector with base.
RE-316SH-2L	Photoelectric & Heat detector with base
RE-716 MR	Conventional Manual Call Point.
RE- 24 CS	Conventional Sounder.

Ordering Information:

MODEL	DESCRIPTION
RE-104-R	4 ZONE Fire Alarm Panel
RE-104-W	4 ZONE Fire Alarm Panel

Note:

R- Red Color
W-White Color

India:

RAVEL ELECTRONICS PVT LTD.,
(An ISO 9001 Certified Company)
150A, Electronics Industrial Estate, Perungudi, Chennai - 96 .India.
E-Mail: marketing@ravelfire.com; Web : www.ravelfire.com

United Kingdom:

RAVEL ELECTRONICS LTD.,
Unit 11, Chancel Industrial Estate, Newhall street,
Willenhall WV13 1NX, West Midlands, United Kingdom.
E-mail: info@ravelfire.co.uk ;Web: www.ravelfire.co.uk