

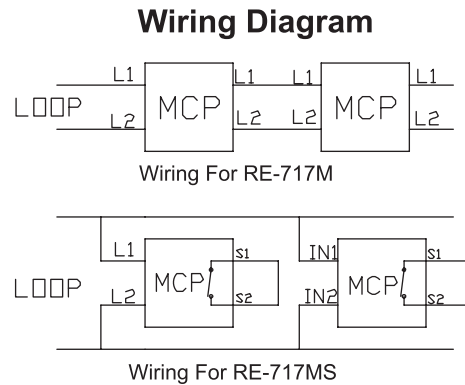
Analogue Addressable Manual Call Point Installation Guide

General Description

RE-717M series are the addressable MCP combined with advanced analogue communications. The DIL Switches are provided for setting the MCP's addresses.

RE-717M: Analogue addressable Manual Call Point.

RE-717MS: Analogue addressable Manual Call Point with Micro-Switch Output which has the capability of 0.3A @ 125VAC or 2@ 30VDC.



L1 and L2 are polarity insensitive, but for the sake of consistency. It's recommend the L2 kept negative
 Model No.: RE-717M/RE-717MS Issue No: 20100128Ver11

Features:

- ⊙ EN54-11 Approved Type A Indoor Use.
- ⊙ Alarm indication by Red LED
- ⊙ Re-Settable by an element kit.
- ⊙ Addressing with a 8 segment DIL switch.
- ⊙ Used in Addressable Fire Alarm Systems.
- ⊙ Fault signal in case of component failure.

Technical Data:

Principle: Operation of a switch
 Operating Voltage: 17-28V
 Power-up surge current: 0.8mA
 Quiescent Current: 450µA
 Alarm Current, LED illuminated: 5.8mA
 Type Code (2 1 0 4 3): 1 1 1 1 1
 Connection: Terminal Screws, 2.5mm² Max.
 Dimensions: 92mm x 92mm x 48mm
 Weight: 125g

Functional Test Data:

| Command Bits | Function |
|--------------|----------------------------|
| 2 | Turn on the indicate LED |
| 1 | Starts a self-test process |
| 0 | Not Used |

Installation Guidelines:

- Follow the below steps carefully
1. Fit the Back Box to the Wall
 2. Run the cables from the loop or conventional zone into the Back Box and connect them to the terminal blocks.
 3. Set Address of the Unit based on the Address table.
 4. Remove the Front Case and then Fit the Call Point to the Back Box
 5. Re-Assemble the Front Case to the Call Point Unit.
 6. Reset the Operating Face using the Reset Key if necessary.

⊗ Alarm Illuminated in RED when the MCP is in Alarm

Address Settings:

The address of the Input/output Unit is set using the eight segments of the DIL switch. Each segment fo the switch must be set to "0" ON or "1" (OFF), using a small screw driver or similar tool. A complete list of address settings is shown below.

Example:

Add. 1

| | | | | | | | | | | | | | |
|-----|--|-----|--|------|--|------|--|------|--|------|--|------|--|
| 1. | | 38. | | 75. | | 112. | | 149. | | 186. | | 223. | |
| 2. | | 39. | | 76. | | 113. | | 150. | | 187. | | 224. | |
| 3. | | 40. | | 77. | | 114. | | 151. | | 188. | | 225. | |
| 4. | | 41. | | 78. | | 115. | | 152. | | 189. | | 226. | |
| 5. | | 42. | | 79. | | 116. | | 153. | | 190. | | 227. | |
| 6. | | 43. | | 80. | | 117. | | 154. | | 191. | | 228. | |
| 7. | | 44. | | 81. | | 118. | | 155. | | 192. | | 229. | |
| 8. | | 45. | | 82. | | 119. | | 156. | | 193. | | 230. | |
| 9. | | 46. | | 83. | | 120. | | 157. | | 194. | | 231. | |
| 10. | | 47. | | 84. | | 121. | | 158. | | 195. | | 232. | |
| 11. | | 48. | | 85. | | 122. | | 159. | | 196. | | 233. | |
| 12. | | 49. | | 86. | | 123. | | 160. | | 197. | | 234. | |
| 13. | | 50. | | 87. | | 124. | | 161. | | 198. | | 235. | |
| 14. | | 51. | | 88. | | 125. | | 162. | | 199. | | 236. | |
| 15. | | 52. | | 89. | | 126. | | 163. | | 200. | | 237. | |
| 16. | | 53. | | 90. | | 127. | | 164. | | 201. | | 238. | |
| 17. | | 54. | | 91. | | 128. | | 165. | | 202. | | 239. | |
| 18. | | 55. | | 92. | | 129. | | 166. | | 203. | | 240. | |
| 19. | | 56. | | 93. | | 130. | | 167. | | 204. | | 241. | |
| 20. | | 57. | | 94. | | 131. | | 168. | | 205. | | 242. | |
| 21. | | 58. | | 95. | | 132. | | 169. | | 206. | | 243. | |
| 22. | | 59. | | 96. | | 133. | | 170. | | 207. | | 244. | |
| 23. | | 60. | | 97. | | 134. | | 171. | | 208. | | 245. | |
| 24. | | 61. | | 98. | | 135. | | 172. | | 209. | | 246. | |
| 25. | | 62. | | 99. | | 136. | | 173. | | 210. | | 247. | |
| 26. | | 63. | | 100. | | 137. | | 174. | | 211. | | 248. | |
| 27. | | 64. | | 101. | | 138. | | 175. | | 212. | | 249. | |
| 28. | | 65. | | 102. | | 139. | | 176. | | 213. | | 250. | |
| 29. | | 66. | | 103. | | 140. | | 177. | | 214. | | 251. | |
| 30. | | 67. | | 104. | | 141. | | 178. | | 215. | | 252. | |
| 31. | | 68. | | 105. | | 142. | | 179. | | 216. | | 253. | |
| 32. | | 69. | | 106. | | 143. | | 180. | | 217. | | 254. | |
| 33. | | 70. | | 107. | | 144. | | 181. | | 218. | | 255. | |
| 34. | | 71. | | 108. | | 145. | | 182. | | 219. | | | |
| 35. | | 72. | | 109. | | 146. | | 183. | | 220. | | | |
| 36. | | 73. | | 110. | | 147. | | 184. | | 221. | | | |
| 37. | | 74. | | 111. | | 148. | | 185. | | 222. | | | |