

RAVEL ELECTRONICS PVT LTD.,

150A, ELECTRONICS INDUSTRIAL ESTATE, PERUNGUDI, CHENNAI - 96 .INDIA.

Ph.: +91-44-2496 1004 / 0825. Fax: +91-44-4204 9599.

E-Mail: marketing@ravelfire.com; www.ravelfire.com

RE-717MZ ZONE MODULE

SPECIFICATION

Operating Voltage	:	24 VDC Nominal.
Current Draw(SLC)	:	0.5mA, (2 mA Max.Latched)
External Supply Voltage	:	Regulated 24VDC
ExternalSupply Standby Current	:	5mA
ExternalSupply Alarm Current	:	60mA Max.
End Of Line Resistor	:	4.7K EOL.
Temperature Range	:	0°C to 49°C
Humidity	:	10% to 93% Non - condensing.
Dimensions	:	95 mm x 75 mm x 24mm (L x B x H)

Before Installation:

This instruction manual is about quick reference installation guide. For detailed system information refer the control panel installation manual. Inform to the operator and authority person that system will be temporarily out of service, while the module is installed in the existing system.

Note:

Disconnect the power to the control panel before installing the module.

General Instruction:

This control module is intended for the use in intelligent two wire system. The individual address of the each module is selected by using the DIP Switch. This module is used to switch the given external power supply to the Four wire Detectors. The external power supply may be regulated DC Supply.

Compatibility Requirement:

This control module should be connected to listed compatible control panel only.

NOTE:

All wiring should be conform to applicable local codes, ordinances, and regulations.

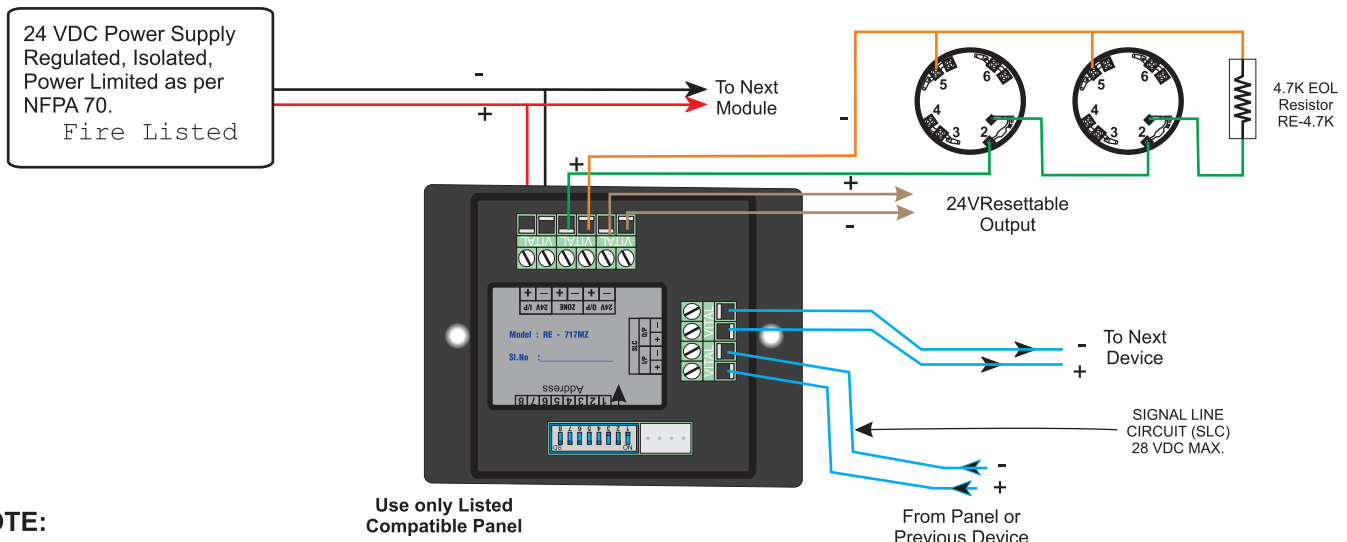
1. Install module wiring in accordance with the job drawings and appropriate wiring diagrams.
2. Set the address on the module per job drawings.

Wire should be stripped to the appropriate length. Exposed conductor should be secured under the clamping plate and should not protrude beyond the terminal block area.

Caution: Do not loop wire under terminals & utilize splice connection.



Wiring Configuration for Conventional Detectors (Class B, Style C)



NOTE:

* ALL WIRING SHOWN IS SUPERVISED AND POWER LIMITED

Address Selection Chart

Example:

Add. 1 

1.		38		75		112		149		186		223	
2.		39		76		113		150		187		224	
3.		40		77		114		151		188		225	
4.		41.		78		115		152		189		226	
5.		42.		79		116		153		190		227	
6.		43.		80		117		154		191		228	
7.		44.		81		118		155		192		229	
8.		45.		82		119		156		193		230	
9.		46.		83		120		157		194		231	
10.		47.		84		121		158		195		232	
11.		48.		85		122		159		196		233	
12.		49.		86		123		160		197		234	
13.		50.		87		124		161		198		235	
14.		51.		88		125		162		199		236	
15.		52.		89		126		163		200		237	
16.		53.		90		127		164		201		238	
17.		54.		91		128		165		202		239	
18.		55.		92		129		166		203		240	
19.		56.		93		130		167		204		241	
20.		57.		94		131		168		205		242	
21.		58.		95		132		169		206		243	
22.		59.		96		133		170		207		244	
23.		60.		97		134		171		208		245	
24.		61.		98		135		172		209		246	
25.		62.		99		136		173		210		247	
26.		63.		100		137		174		211		248	
27.		64.		101		138		175		212		249	
28.		65.		102		139		176		213		250	
29.		66.		103		140		177		214		251	
30.		67.		104		141		178		215		252	
31.		68		105		142		179		216		253	
32.		69.		106		143		180		217		254	
33.		70.		107		144		181		218		255	
34.		71.		108		145		182		219			
35.		72.		109		146		183		220			
36.		73.		110		147		184		221			
37.		74.		111		148		185		222			